

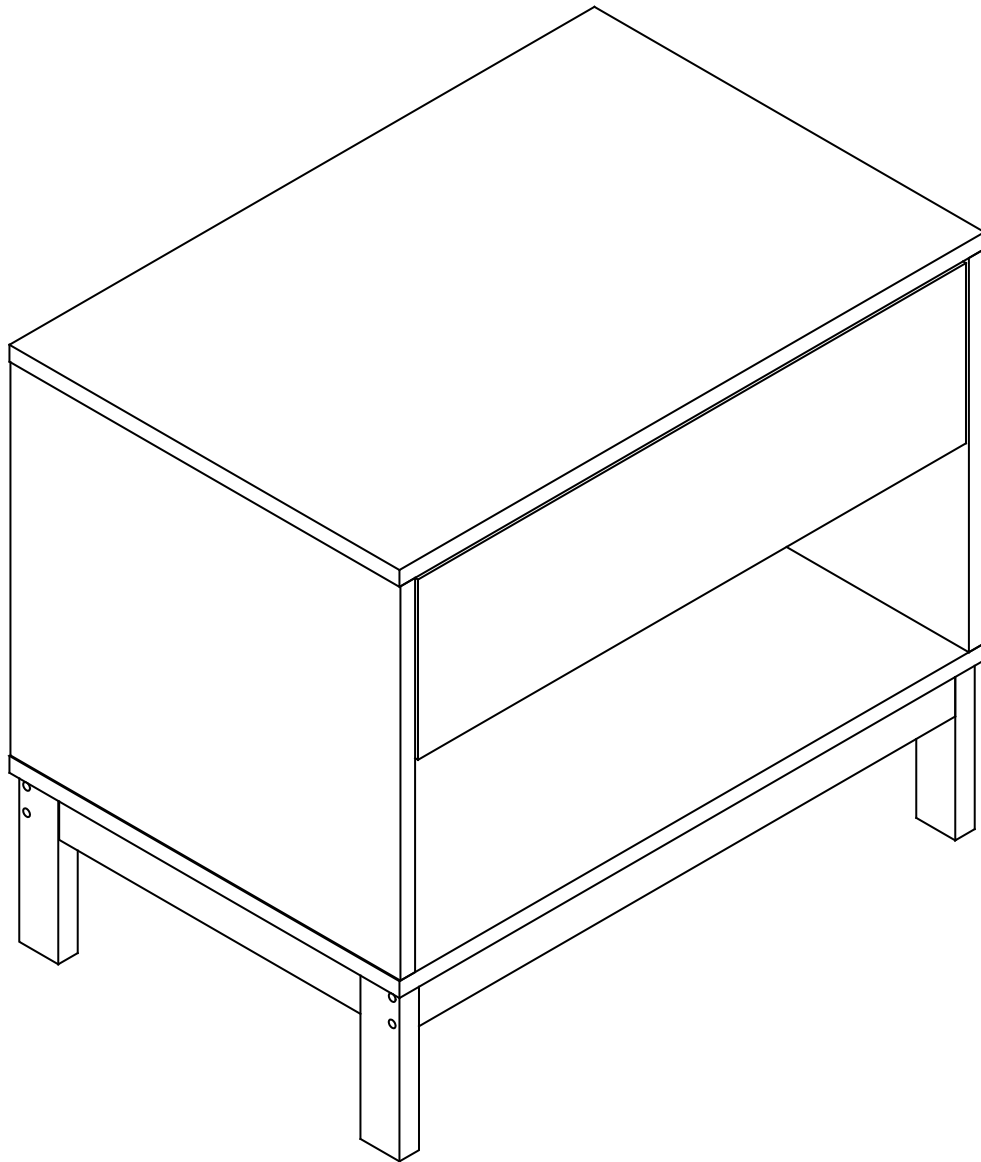
Zander Bedside Table

Assembly Instructions

mocka

Thank you for your purchase. Please follow the instructions for correct assembly. While we took great effort to ensure these assembly instructions were correct at the time of printing, sometimes updates are required post production. For the most up to date versions please refer to the product page on our website.

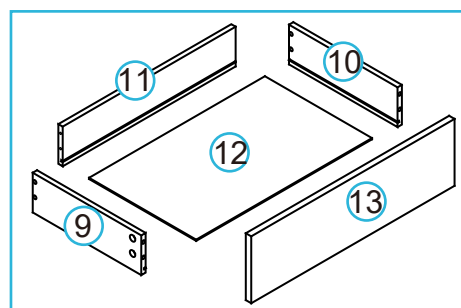
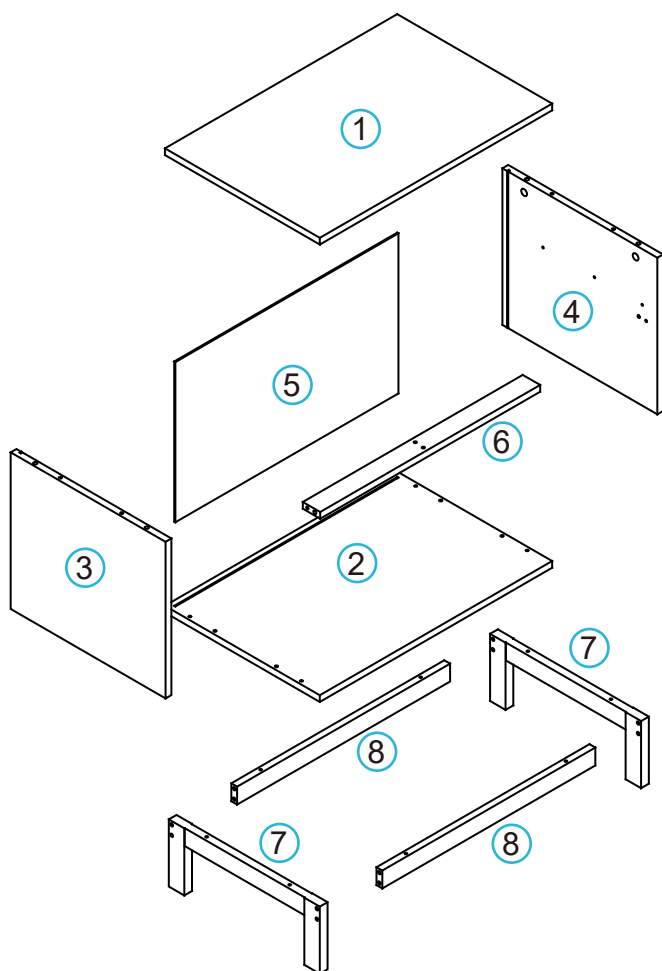
mocka.com.au/mocka.co.nz



Zander Bedside Table

Assembly Instructions

Panel Layout



Partlist

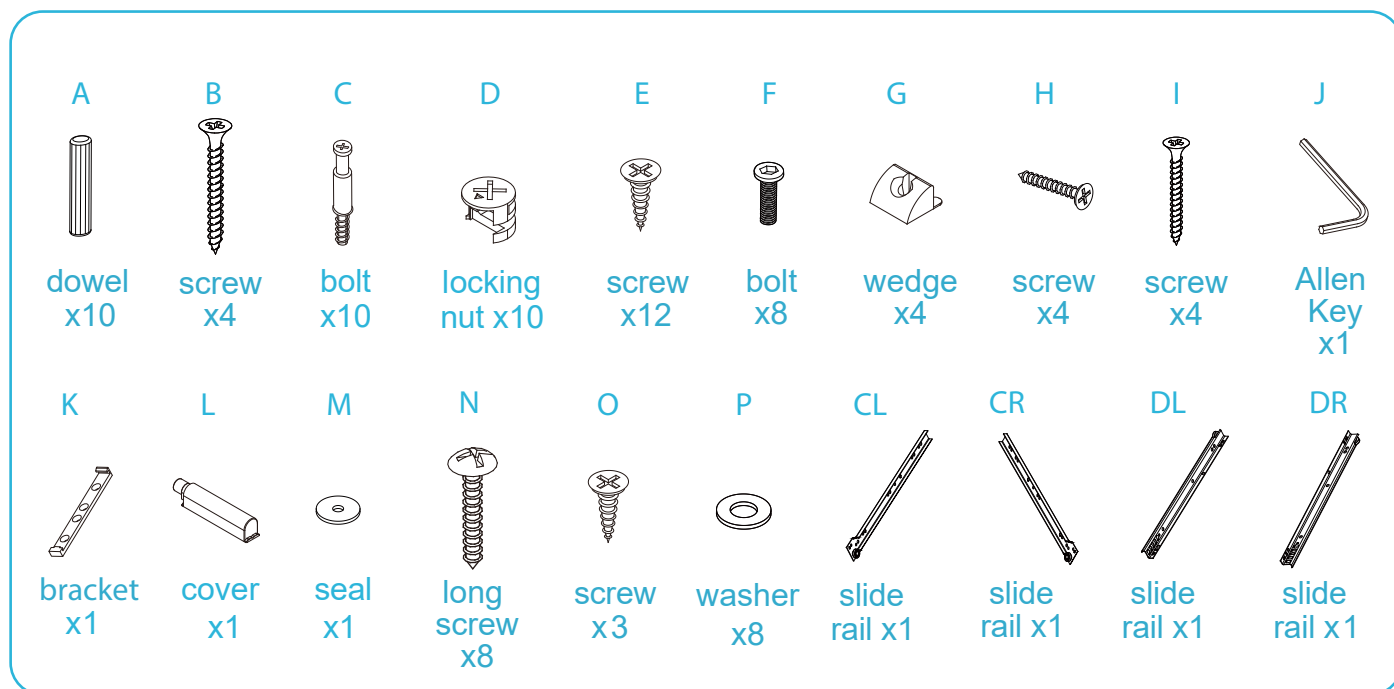
①	Top Panel	x1	⑧	Rail	x2
②	Bottom Panel	x1	⑨	Left Drawer Side	x1
③	Left Side Panel	x1	⑩	Right Drawer Side	x1
④	Right Side Panel	x1	⑪	Drawer Back	x1
⑤	Back Panel	x1	⑫	Drawer Base	x1
⑥	Rail	x1	⑬	Drawer Front	x1
⑦	Leg	x2			

Zander Bedside Table

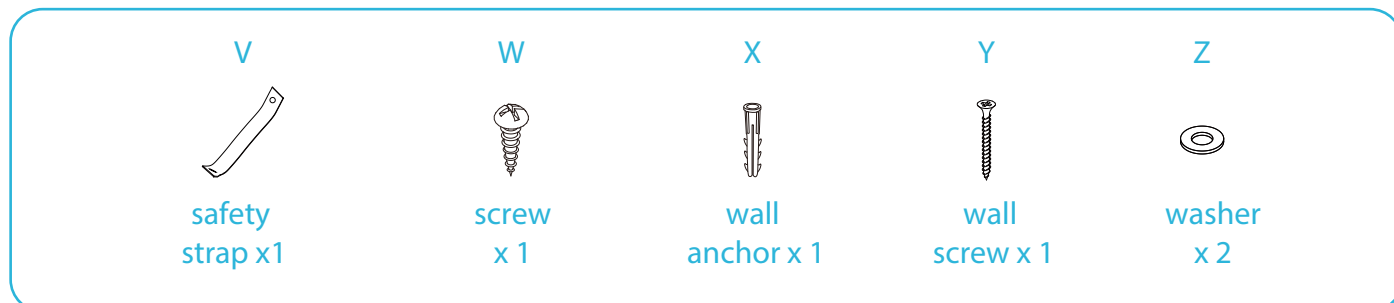
Assembly Instructions

mocka

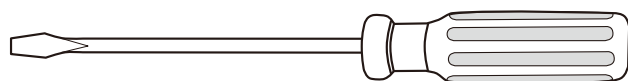
Hardware Supplied



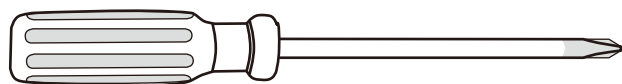
Wall Strap



WARNING: Any furniture that is not anchored to a wall has the potential to tip over in certain circumstances, i.e. if a child attempts to climb up on the furniture or in the event of an earthquake. Accordingly, we recommend that all furniture is anchored to a wall. We supply a free safety wall anchor with all furniture sold and we recommend these are used to prevent your product tipping. The fixing device provided should fit most wall types, but please note that different wall materials may require different fixing devices from those supplied.



Phillips and Flathead screwdrivers



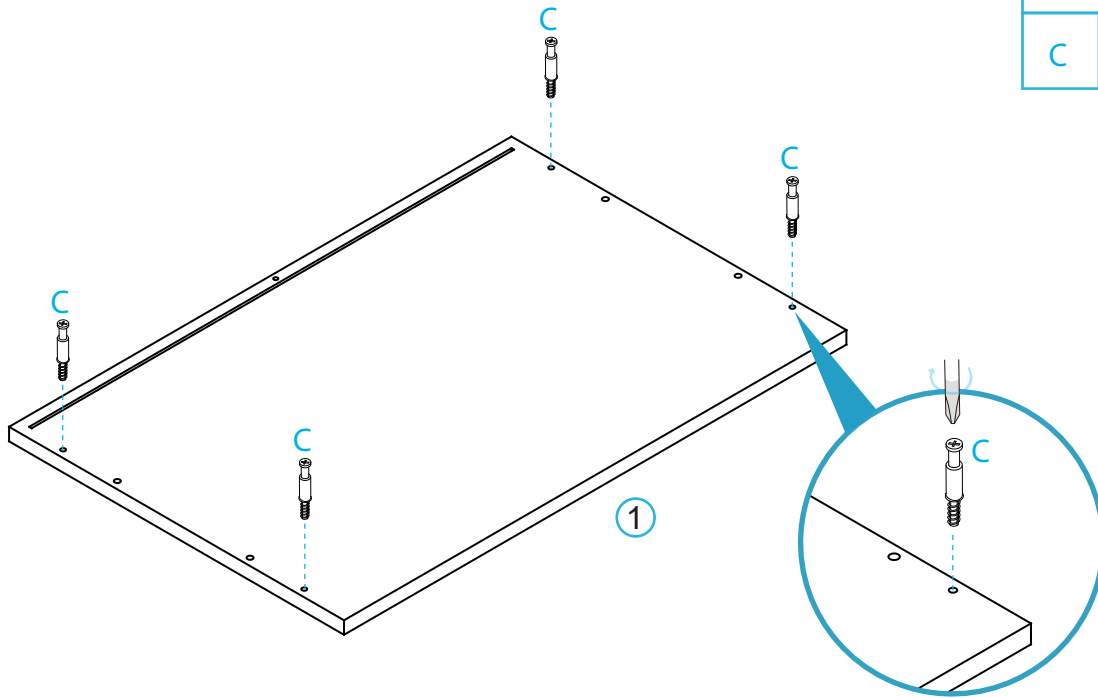
For quicker assembly, we recommend the use of a power drill on a low-speed setting.

Zander Bedside Table


Assembly Instructions

mocka

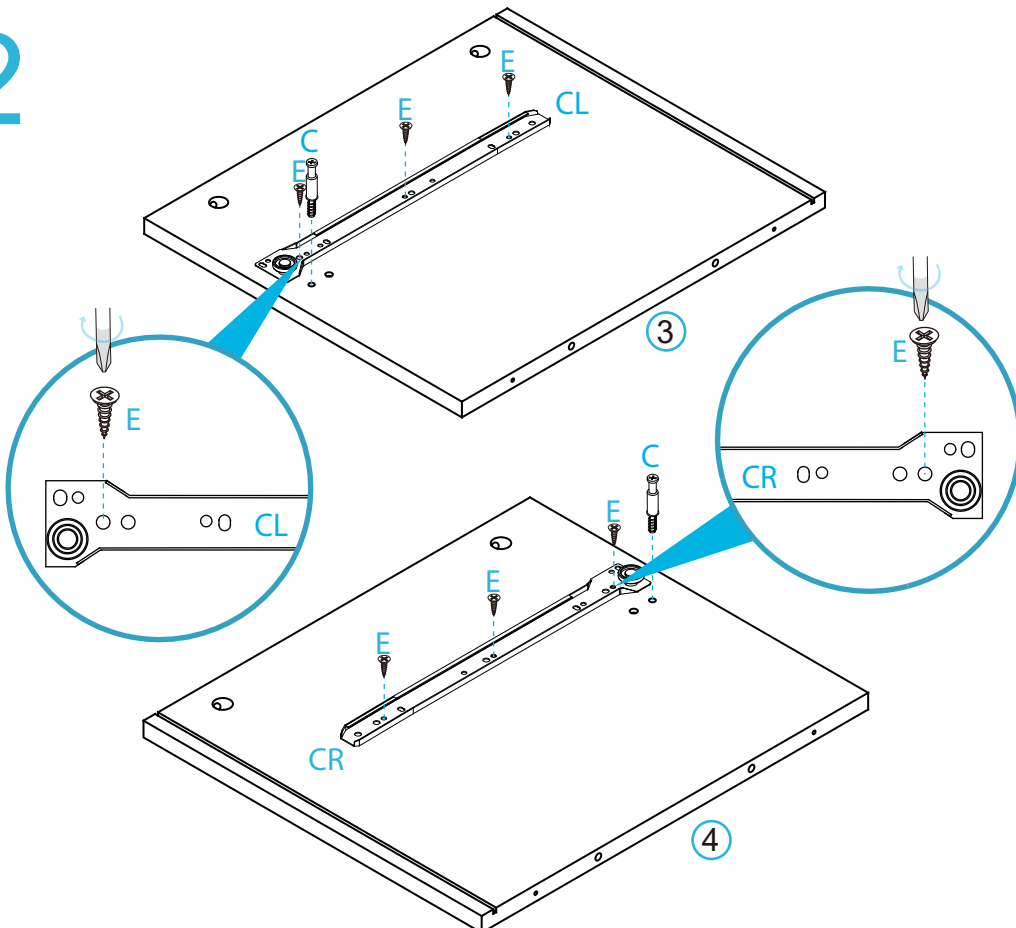
1







Hardware Needed

C		x4
---	---	----

2



Hardware Needed

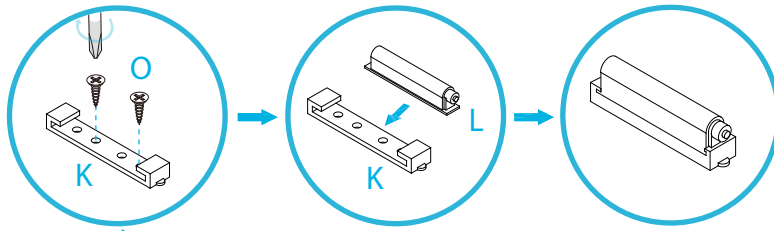
C		x2
E		x6
CL		x1
CR		x1

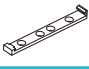


Zander Bedside Table

Assembly Instructions

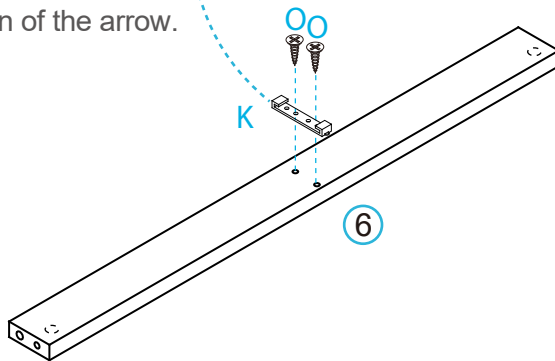
mocka

3

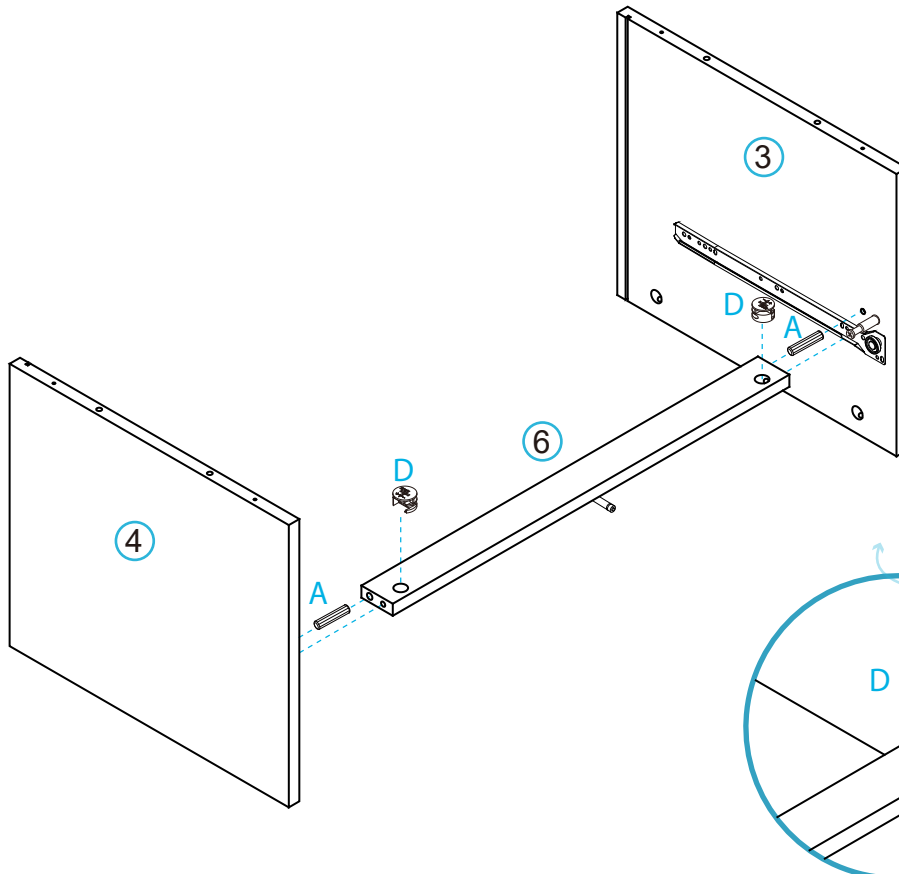


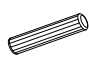

Hardware Needed		
K		x1
L		x1
O		x2

The round head is aligned with the direction of the arrow.



4



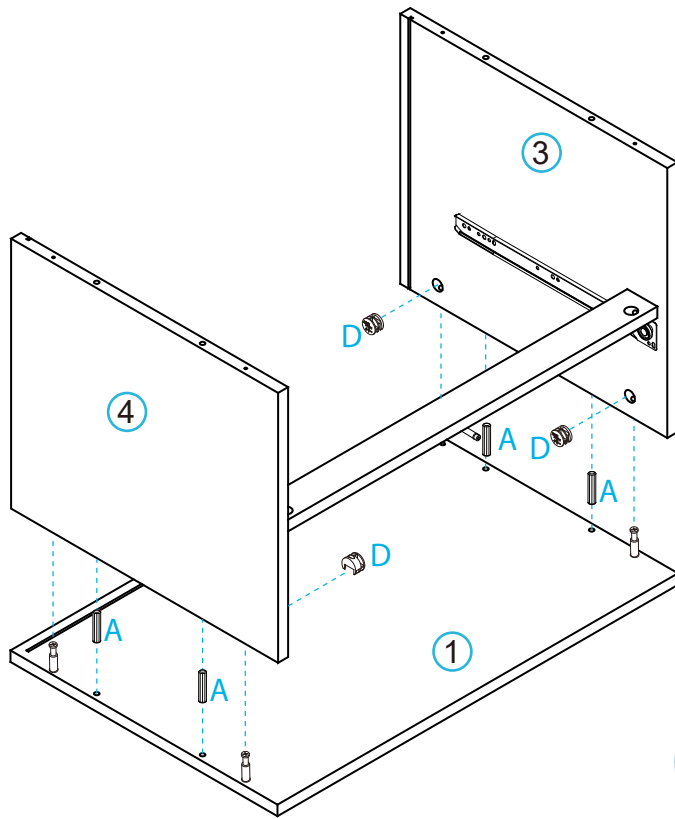
Hardware Needed		
A		x2
D		x2

Zander Bedside Tablet



Assembly Instructions

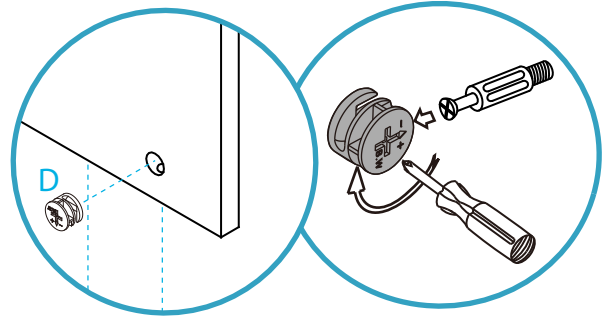
mocka

5

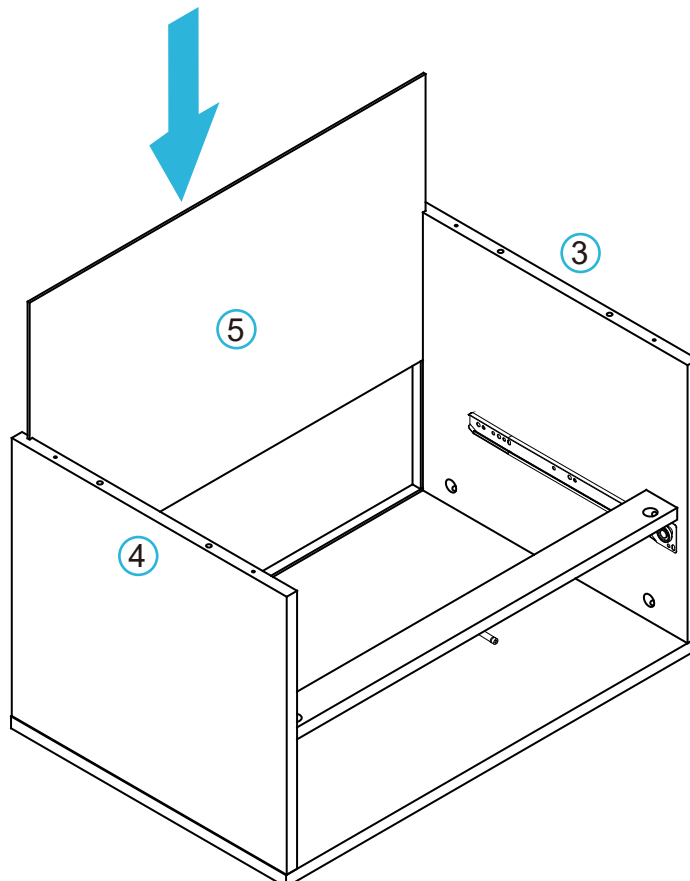


Hardware Needed

A		x4
D		x4



6

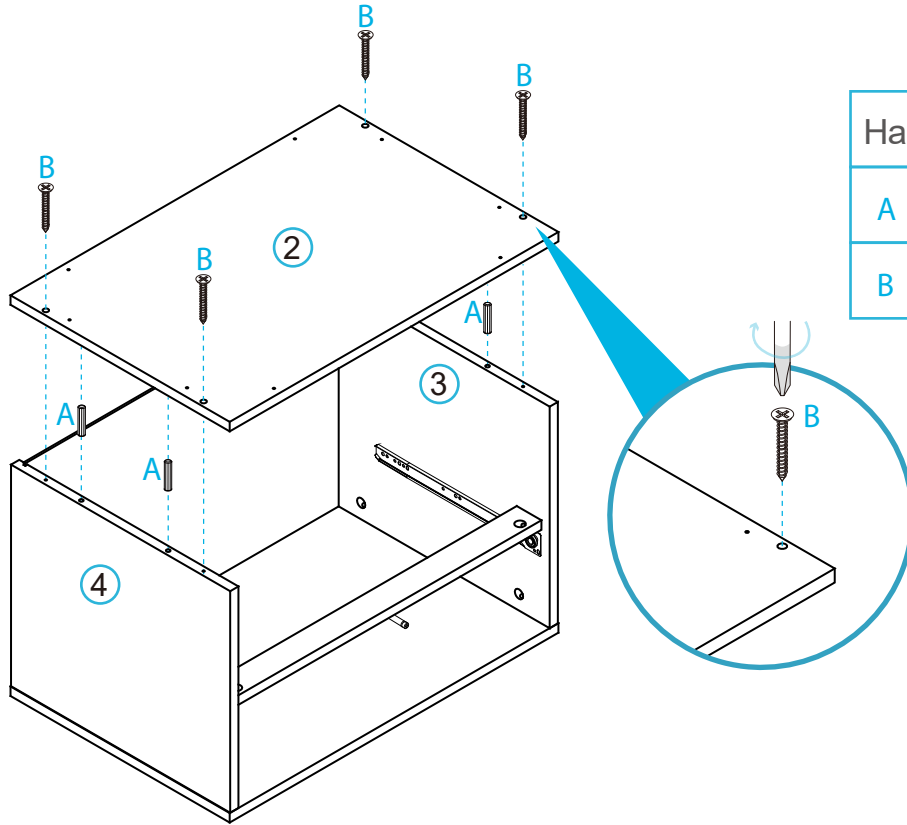




Zander Bedside Table

Assembly Instructions

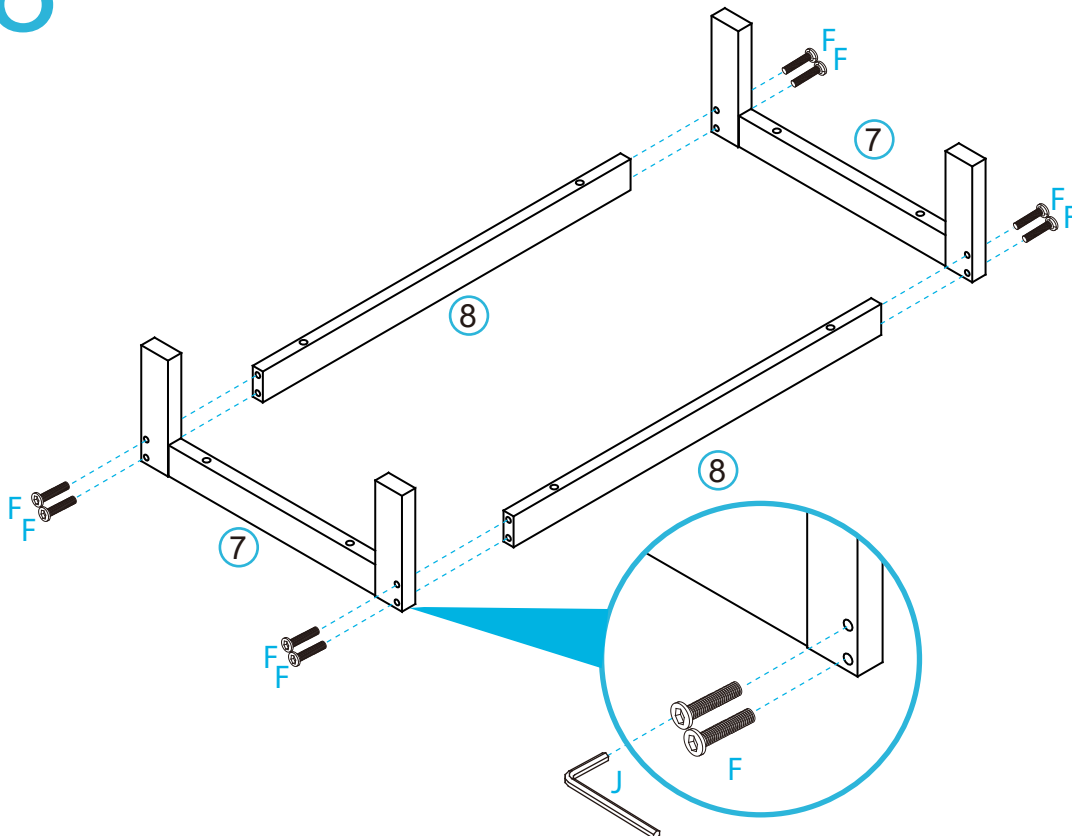
mocka



7



Hardware Needed		
A		x4
B		x4

8



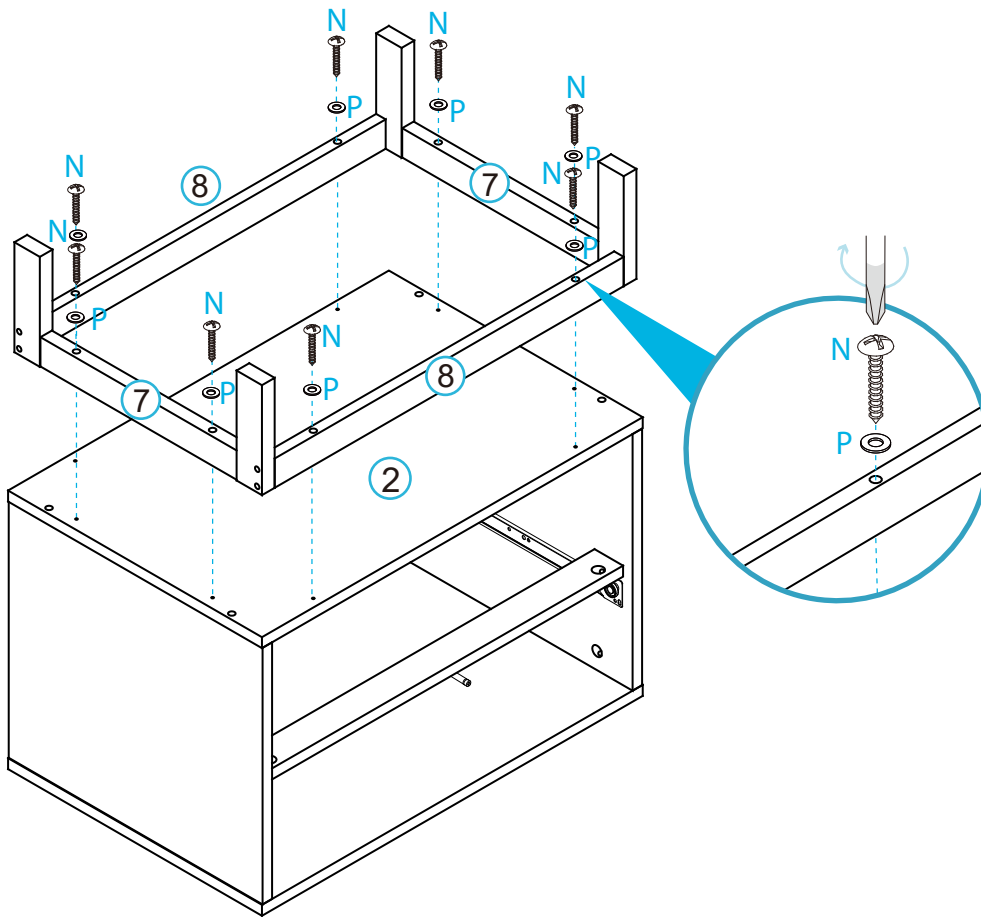
Hardware Needed		
F		x8
J		x1

Zander Bedside Table



Assembly Instructions

mocka

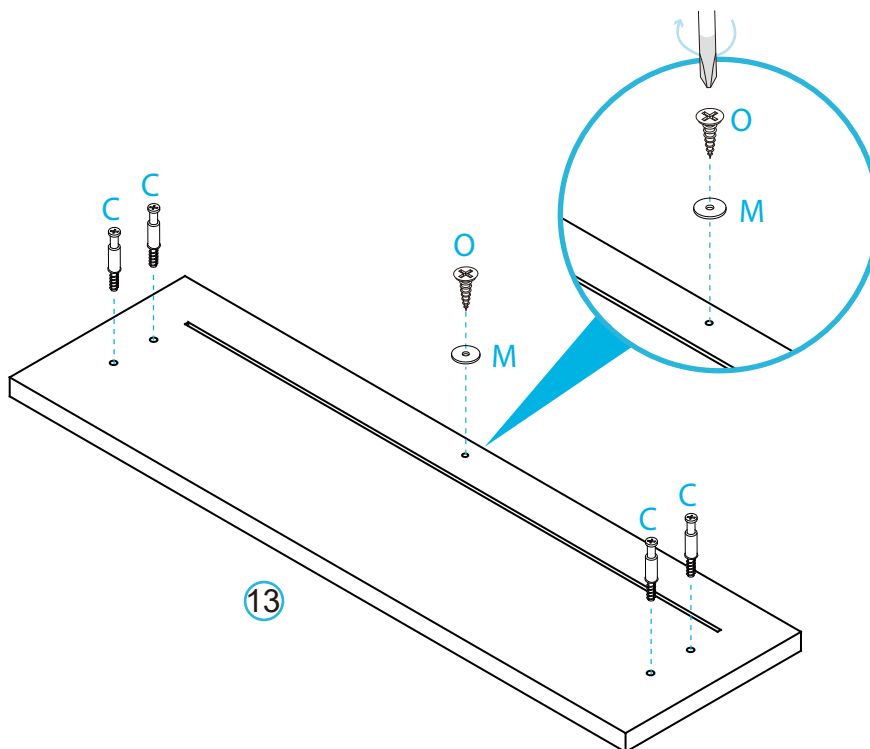
9






Hardware Needed

N		x8
P		x8

10



Hardware Needed

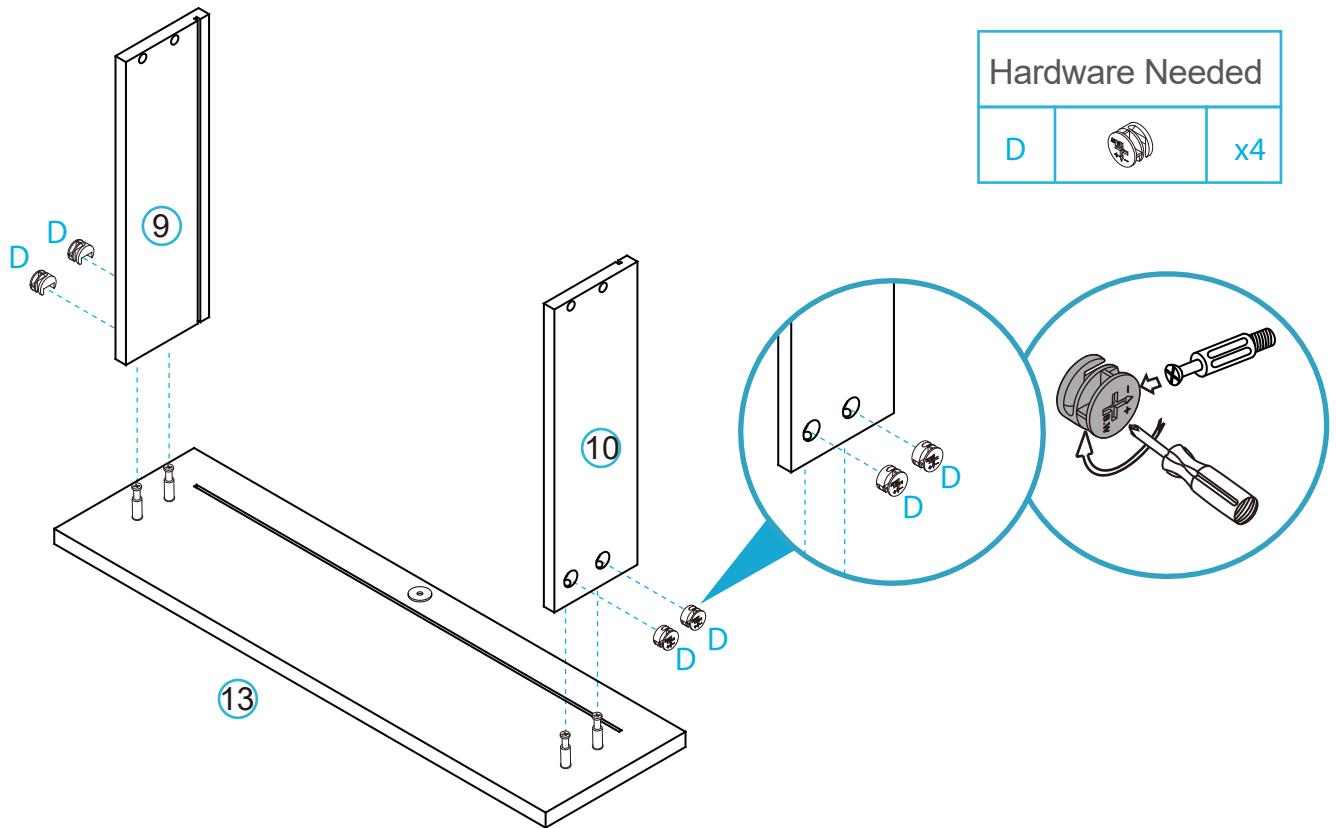
C		x4
M		x1
O		x1

Zander Bedside Table

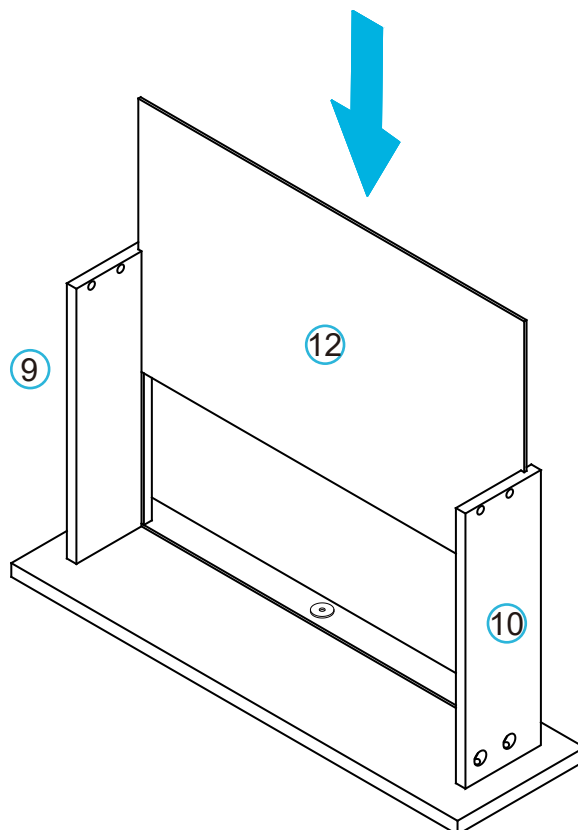
Assembly Instructions

mocka

11



12

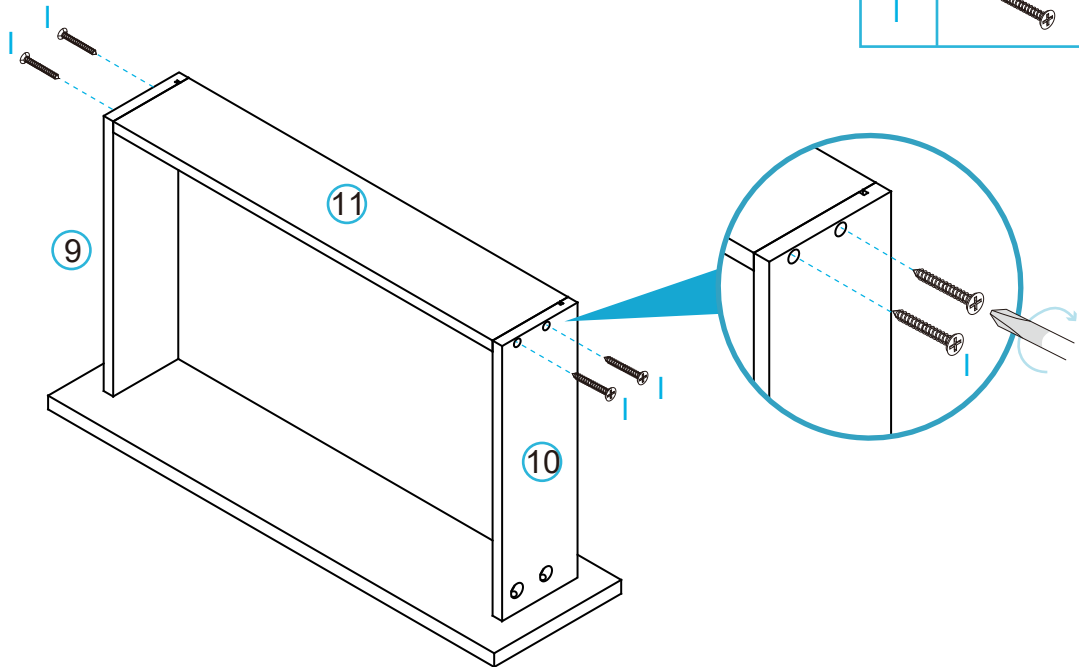


Zander Bedside Table

Assembly Instructions

mocka

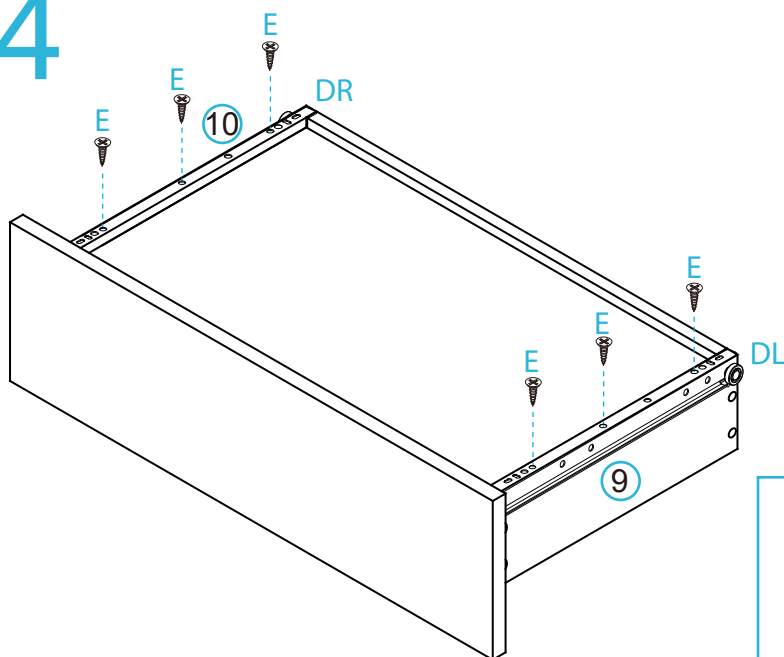
13






Hardware Needed

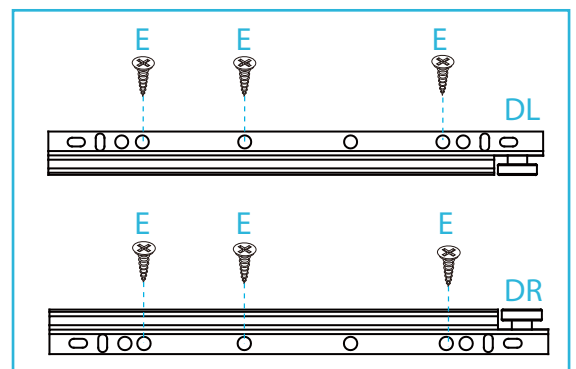
I		x4
---	---	----

14



Hardware Needed

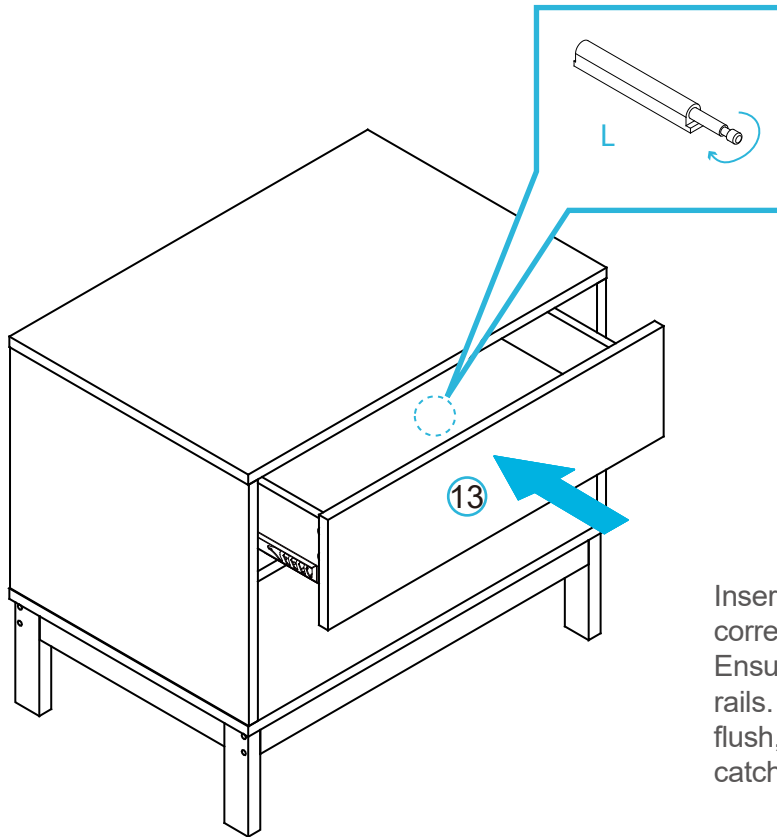
E		x6
DL		x1
DR		x1



Zander Bedside Table

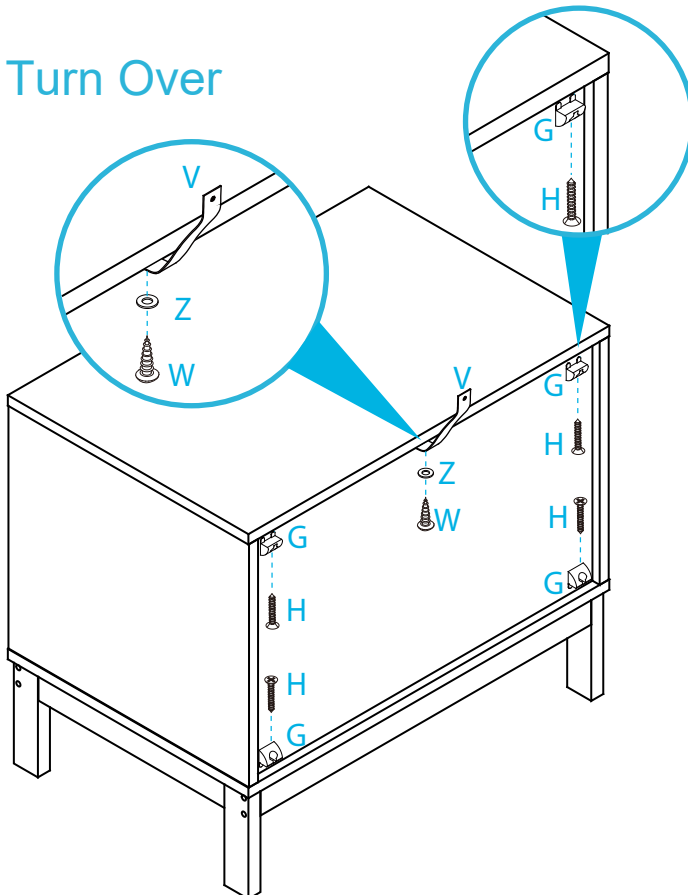
Assembly Instructions

15








Insert the assembled drawers into the corresponding compartments as shown. Ensure the drawers slide easily along the rails. If the door is not catching or sitting flush, twist the end of the cover (L) until it catches on the seal (M).

16

 Turn Over

Hardware Needed

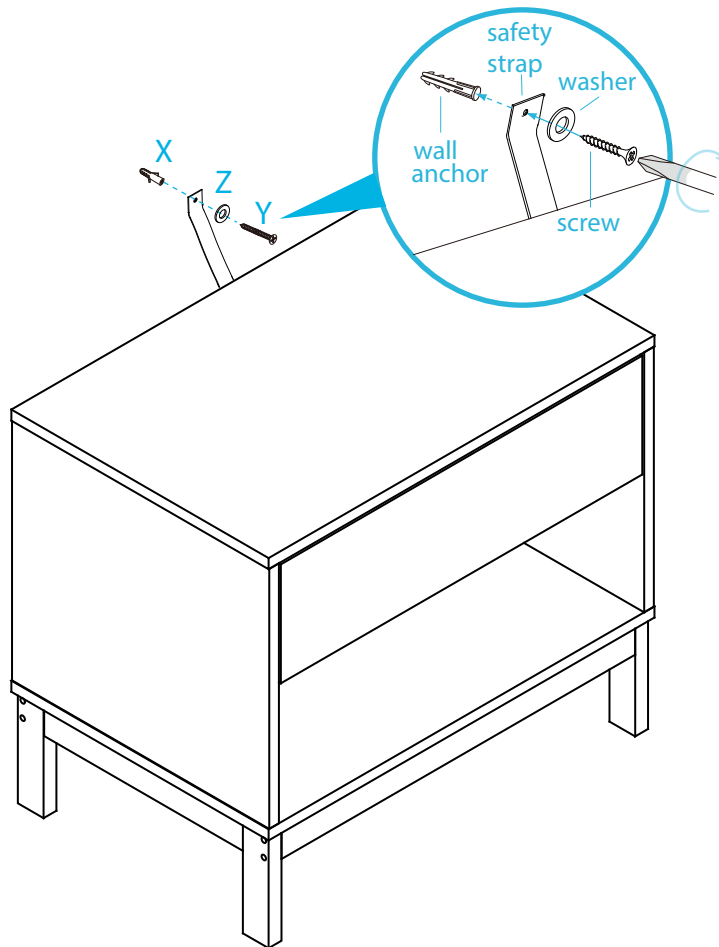
G		x4
H		x4
V		x1
W		x1
Z		x1

Zander Bedside Table




Assembly Instructions

mocka

17



Hardware Needed

x		x1
Y		x1
Z		x1

Seek advice from a qualified trades person on how to attach this safety strap to your specific wall.
Once assembled lift furniture into place, do not drag.

18

